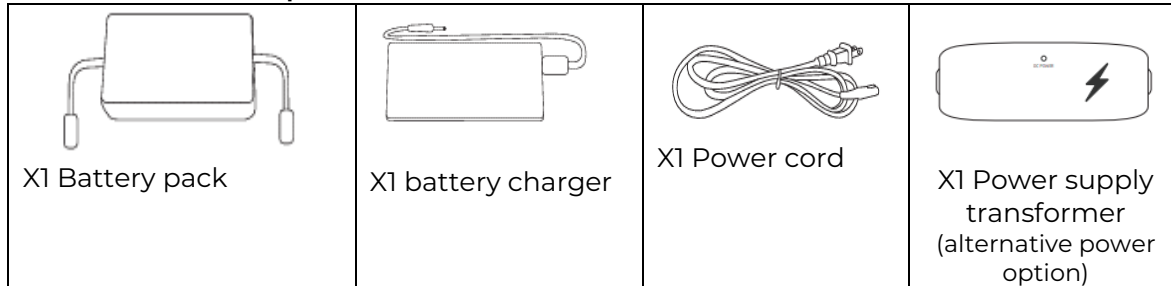


Paramount Power Recliner

Assembly Instructions

URBAN BARN

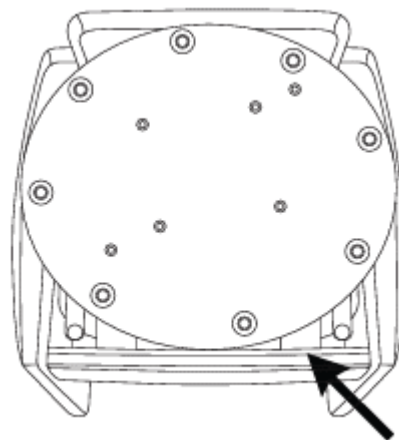
Power components



How to install battery pack:

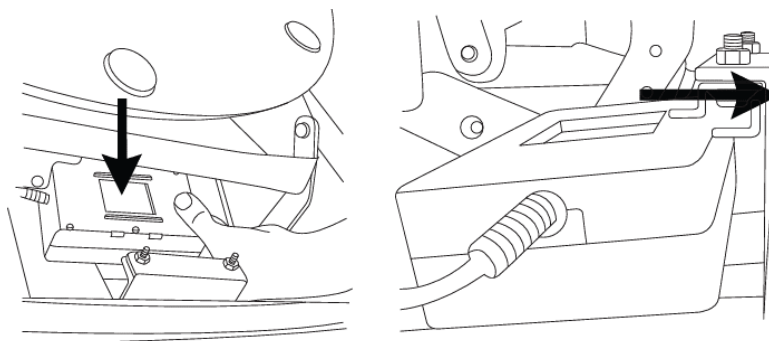
Step 1

Please protect your floor and recliner by placing a blanket on the floor before turning the chair base upside down to gain access to the mechanism. You will notice a pre-installed plastic mounting bracket on the lower part of the back chair frame.



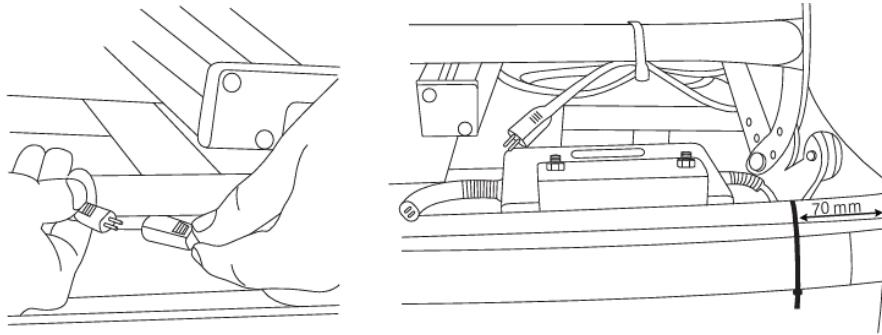
Step 2

Attach the enclosed Rechargeable Battery Pack using its 'Snap-On' system with the pre-installed mounting plastic bracket.



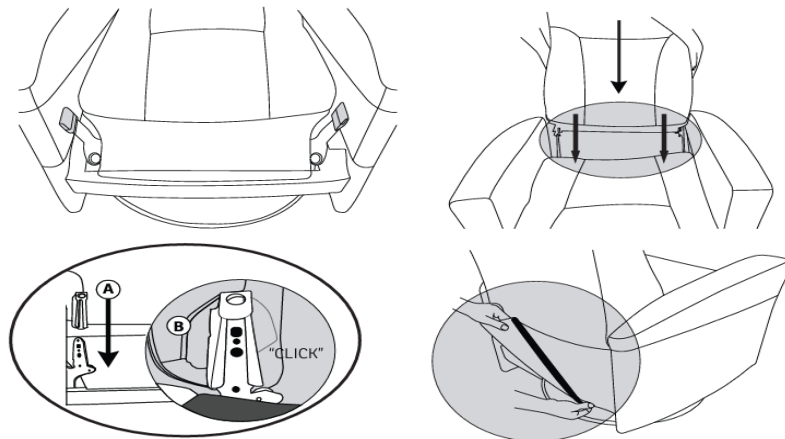
Step 3

Connect the Rechargeable Battery Pack to the reclining motor's extension cable, which is securely attached to the rear seat mechanism. Secure the cable leading to the battery by using a cable tie. Please maintain a distance of approx. 7 cm (2.75 inch) from the frame corner.



Step 4

Return the chair upright. Attach the back by placing the metal posts into the rear sleeves until they click into place. You can check this lock by lifting the back. Please be careful not to damage the leather when joining the back and seat. Attach the rear Velcro flap (skirt) again as indicated.



Instruction for rechargeable power pack

1. The battery comes with 75% charge; fully charge before using. The standard charging time is 3-6 hours.
2. Use only the provided li-ion charger. Only certified technicians should service the battery and charger.
3. A low-voltage warning will beep for 30 seconds when the battery is low.
4. Recliner features a short-circuit protection system that automatically cuts power in the event of a short circuit. The alarm will beep at 30-second intervals, and the unit will self-recover once the short circuit is cleared.
5. This product is designed to protect the battery from improper power connections and prevent discharging. Ensure you use the provided charger.
6. The number of cycles on the battery depends on the usage pattern and bodyweight of the user. The average battery source for your recliner should last you around 150 to 250 recline revolutions.
7. When charging the battery, the LED light will turn green once it's fully charged. Disconnect charger when finished charging to prolong the battery and charger life.
8. Recharge the battery if unused for more than 90 days to maintain its life.

URBAN BARN

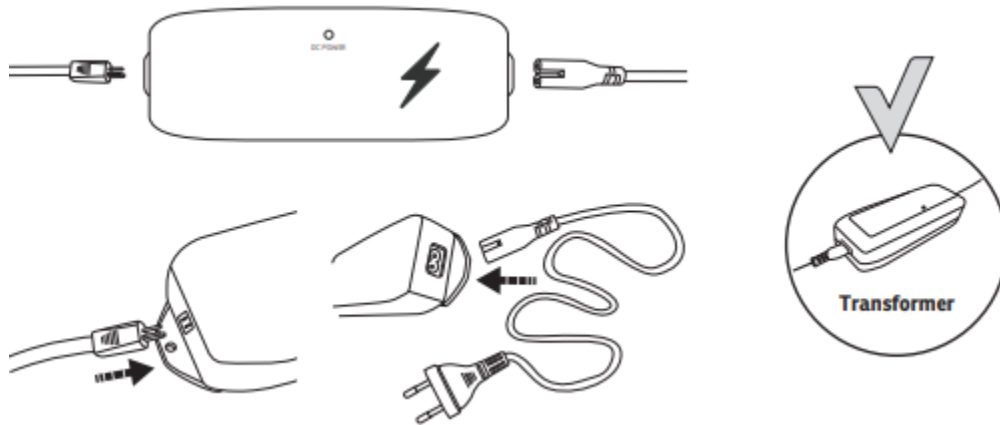
Your Paramount Power Recliner includes a transformer power supply, giving you the option to connect it directly to a power outlet.

Step 1

Connect the cable from the reclining motor to the power supply transformer. The extension cable is already connected to the motor and securely attached to the rear seat mechanism.

Step 2

Connect the power cord to the power supply transformer. Make sure that all connections are properly secured and away from moving parts and the mechanism.



Two line drawings of a recliner chair. The top drawing shows a warning triangle icon in the upper left corner and a small icon of a person sitting in the chair. The bottom drawing shows a warning triangle icon in the upper left corner and a small icon of a person sitting in the chair with a large 'X' over it, indicating a warning or prohibition.

Bolts, screws and knobs can loosen after an extended period. It's important to check and tighten all bolts, screws and knobs periodically. We recommend you do this at least every four (4) months or as needed.

A vertical sequence of four illustrations. The top one shows a recliner chair with a warning triangle icon in the upper left corner. The second one shows a cross-section of the chair's base with various bolts and screws. The third one shows a set of tools: a screwdriver, a wrench, and a hex key. The bottom one shows a calendar with 'X' marks in several dates, indicating a maintenance schedule.